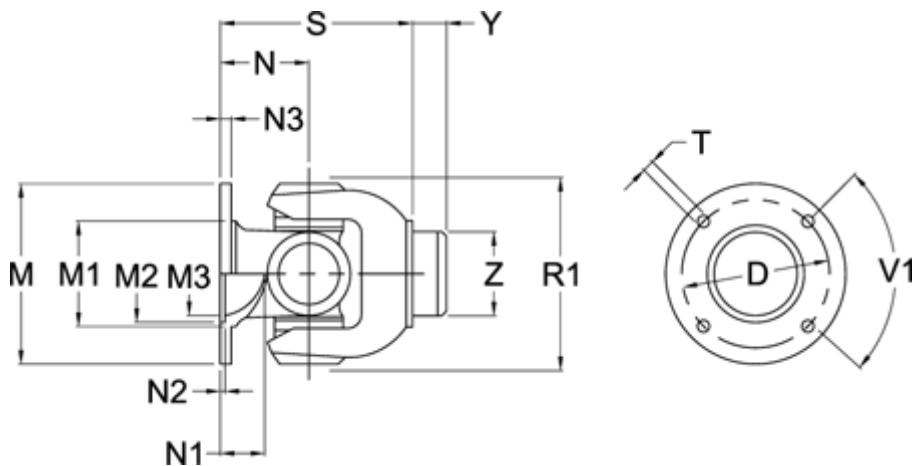


Article number: 07158055001

Description: Universal joint single 0.158.055.001
S=200 X= Bore with keyway

Measures



| | | | | |
|----------------------------|------------|-----------------------|----------|-----------|
| D | = 130 +0,1 | N2 | = 3 +0,5 | Z = 82.25 |
| Flange diameter M | = 150 | N3 | = 12 | |
| M1 | = 104 | Number og Flangeholes | = 8 | |
| M2 | = 90 | R1 | = 150 | |
| M3 | = 84 | S min | = 200 | |
| Max. Bending Angle degrees | = 35 | T | = 12 B12 | |
| N | = 90 | V1 degrees | = 45 | |
| N1 | = 25 | Y | = 22 | |